

# Technical data sheet

## Product features



### Cooking range gas with electric static oven

<b>Model</b>	<b>SAP Code</b>	00014805
--------------	-----------------	----------



- Device type: Combined unit
- Power consumption of the zone 1 [kW]: 8,5
- Power consumption of the zone 2 [kW]: 8,5
- Power consumption of the zone 3 [kW]: 4
- Power consumption of the zone 4 [kW]: 8,5
- Power consumption of the zone 5 [kW]: 8,5
- Power consumption of the zone 6 [kW]: 4
- Ignition: Eternal flame
- Type of internal part of the appliance 1 (eg oven): Electric
- Type of internal part of the appliance 2 (eg oven): Static
- Material: AISI 304 top plate and cladding

<b>SAP Code</b>	00014805	<b>Number of zones</b>	6
<b>Net Width [mm]</b>	1200	<b>Power consumption of the zone 1 [kW]</b>	8,5
<b>Net Depth [mm]</b>	730	<b>Power consumption of the zone 2 [kW]</b>	8,5
<b>Net Height [mm]</b>	900	<b>Power consumption of the zone 3 [kW]</b>	4
<b>Net Weight [kg]</b>	150.00	<b>Power consumption of the zone 4 [kW]</b>	8,5
<b>Power electric [kW]</b>	8.700	<b>Power consumption of the zone 5 [kW]</b>	8,5
<b>Loading</b>	400 V / 3N - 50 Hz	<b>Power consumption of the zone 6 [kW]</b>	4
<b>Power gas [kW]</b>	42.000	<b>Type of internal part of the appliance 1 (eg oven)</b>	Electric
<b>Type of gas</b>	Natural gas, propane butane	<b>Type of internal part of the appliance 2 (eg oven)</b>	Static

# Technical data sheet

Technical drawing

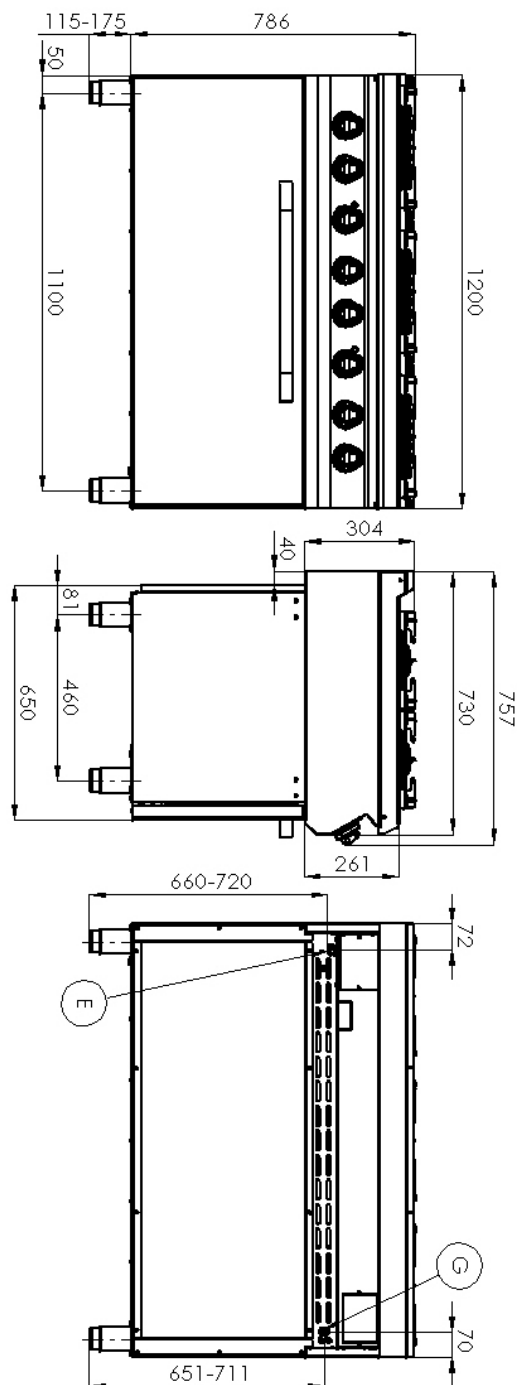


Cooking range gas with electric static oven

Model

SAP Code

00014805



# Technical data sheet

Technical parameters



## Cooking range gas with electric static oven

**Model**

**SAP Code**

00014805

**1. SAP Code:**

00014805

**2. Net Width [mm]:**

1200

**3. Net Depth [mm]:**

730

**4. Net Height [mm]:**

900

**5. Net Weight [kg]:**

150.00

**6. Gross Width [mm]:**

1260

**7. Gross depth [mm]:**

820

**8. Gross Height [mm]:**

1080

**9. Gross Weight [kg]:**

166.00

**10. Device type:**

Combined unit

**11. Construction type of device:**

Stationary

**12. Power electric [kW]:**

8.700

**13. Loading:**

400 V / 3N - 50 Hz

**14. Power gas [kW]:**

42.000

**15. Ignition:**

Eternal flame

**16. Type of gas:**

Natural gas, propane butane

**17. Exterior color of the device:**

Stainless steel

**18. Material:**

AISI 304 top plate and cladding

**19. Worktop type:**

Molded - comfortable cleaning maintenance

**20. Worktop material:**

AISI 304

**21. Worktop Thickness [mm]:**

1.50

**22. Number of zones:**

6

**23. Power consumption of the zone 1 [kW]:**

8,5

**24. Power consumption of the zone 2 [kW]:**

8,5

**25. Power consumption of the zone 3 [kW]:**

4

**26. Power consumption of the zone 4 [kW]:**

8,5

**27. Power consumption of the zone 5 [kW]:**

8,5

**28. Power consumption of the zone 6 [kW]:**

4

# Technical data sheet

Technical parameters



## Cooking range gas with electric static oven

**Model**

**SAP Code**

00014805

**29. Maximum device temperature [°C]:**

300

**30. Minimum device temperature [°C]:**

50

**31. Grid material:**

Cast iron

**32. Service accessibility:**

Trough the frontal panel

**33. Safety thermocouple:**

Yes

**34. Adjustable feet:**

Yes

**35. Number of burners/hot plates:**

6

**36. Type of gas cooking zones:**

Powerfull

**37. Burner type:**

Brass, detachable

**38. Oven Type:**

electrical static

**39. Oven power electric [kW]:**

8.70

**40. Oven size:**

GN 3x 1/1

**41. Type of internal part of the appliance 1 (eg oven):**

Electric

**42. Type of internal part of the appliance 2 (eg oven):**

Static

**43. Gasket:**

Yes

**44. Maximum temperature of the inner chamber [°C]:**

300

**45. Minimum temperature of the inner chamber [°C]:**

50